

NEWSLETTER

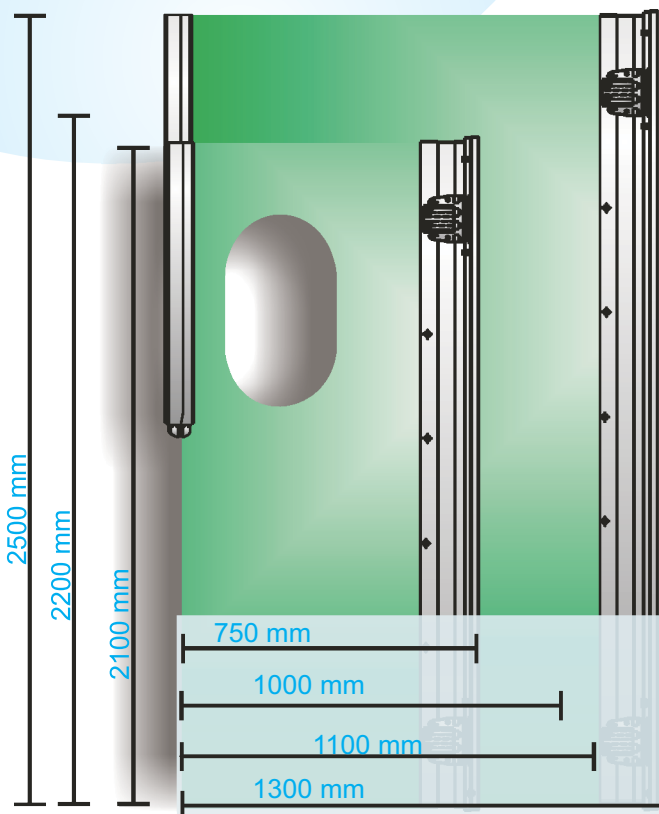
“Portylen-Standard”

An der Kleimannbrücke 4 • D-48157 Münster
P.O. Box 32 60 • D-48018 Münster
Phone +49 251 3288-100
Fax +49 251 3288-185
info@stricker-torsysteme.de
www.stricker-torsysteme.de


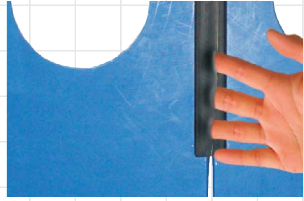

Swing door



Standard size:



Detail:

	colours of door leaves		
1	blue	white	grey
	red	green	granilen
	swing closing system		
2			
	middle elastomer finger protection		
3			
	frame elastomer finger protection		
4			

opening:

